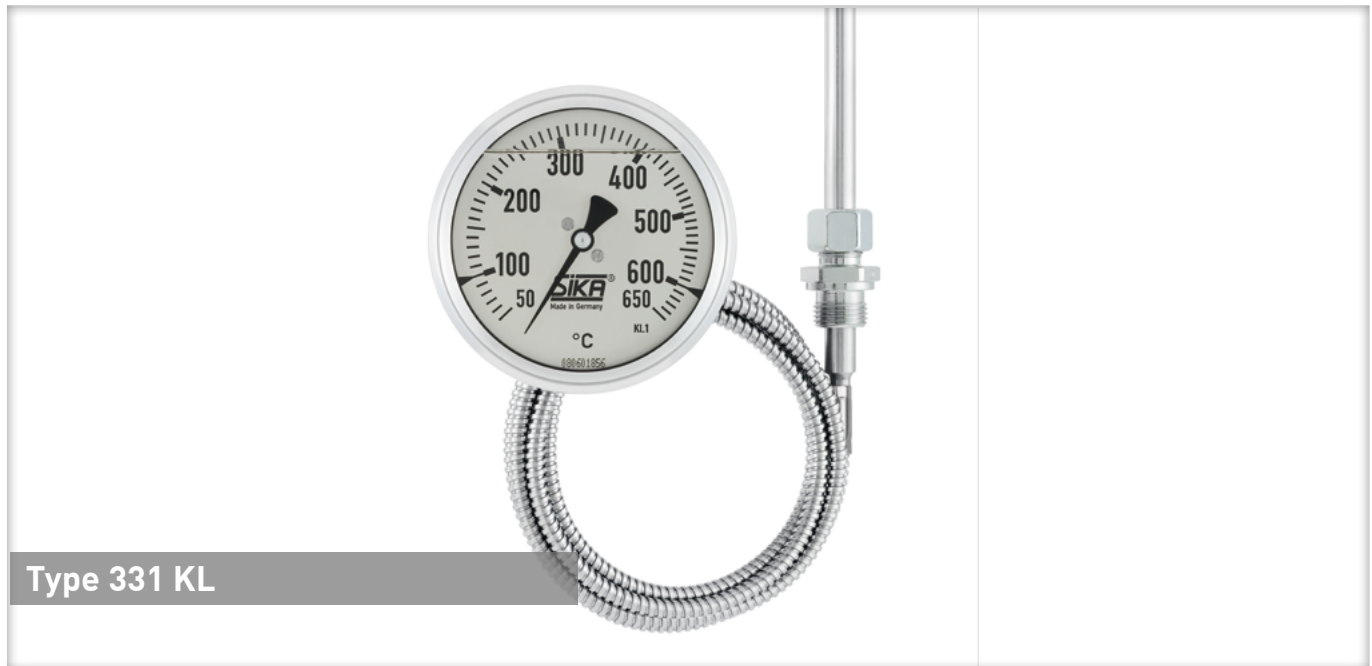



Gas filled // Version for diesel engines // with capillary line



Type 331 KL

Your advantages

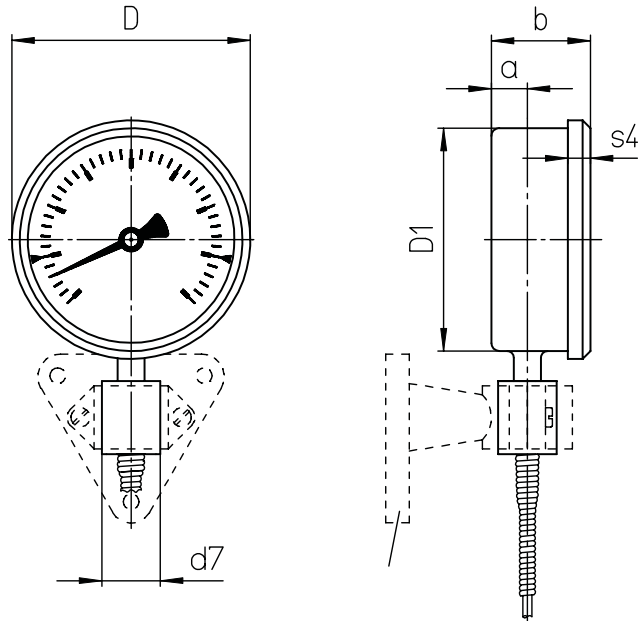
Type	311 WH /321 TA / 332 TE / 331 KL
	<ul style="list-style-type: none"> • Suitable for outdoor use - closed system (IP65) • Completely stainless steel - high-quality version • Without electrical auxiliary power

Technical data				
Type	311 WH	321 TA	332 TE	331 KL
Version	With wall bracket	Rear mounting flange	Front mounting flange	With U bracket
Nominal size	Ø 80 or 100 mm			
Display ranges according to EN 13190	0...100 °C 0...120 °C 0...160 °C 0...250 °C 50...650 °C			
Accuracy according to EN 13190	Class 1			
Medium / Application area	Liquid and gaseous media			
Capillary line connection	Bottom		Central back	
Immersion tube length	Between 100...400 mm			
Immersion tube diameter	Ø 12 mm			
Capillary line	with Stainless steel-spiral protection, 1...15 m Length			
Process connection	Connection types: A, AK			
Nominal pressure	Max. 25 bar			
Measuring system	Nitrogen filled			
Degree of protection according to EN 60529	IP65			
Medium temperature	See selected display range			
Ambient temperature	-20...60 °C (only indoors)			
Storage temperature	-40...60 °C			
Nominal service temperature (EN 13190)	23 °C ±2 °C			
Approvals				

Options

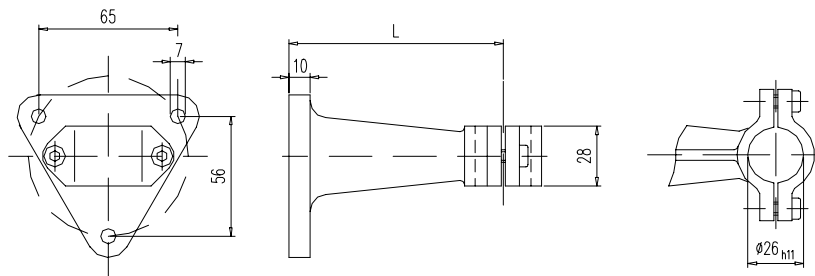
For type	On request
311 WH /321 TA / 332 TE / 331 KL	Other immersion tube diameter and connection types. Other display ranges and / or special scales, e.g. double scale °C / °F. Capillary line > 15 m

Type 311 WH with wall bracket



Dimensions [mm]							Weight [kg]
NS	a	b	D	D1	d7	s4	filled
80	15	42	86	79	26	8	0.60
100	15	43	106	99	26	10	0.78

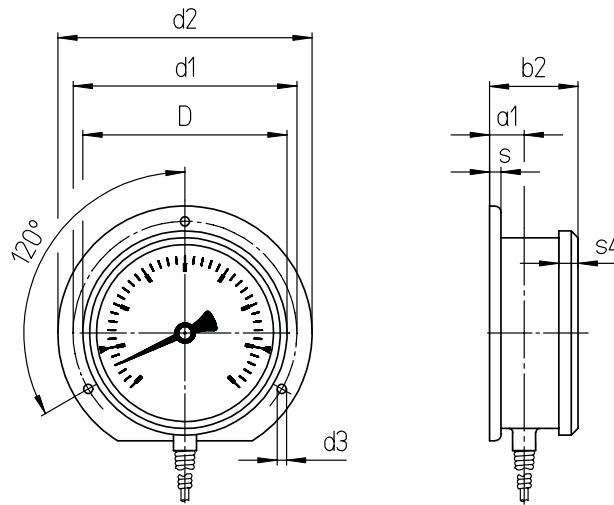
This information is provided as an example and relates to the version with connection type A, Ø 10 mm, and immersion tube length 200 mm and capillary 1 m.



Wall bracket compliant with DIN 16 281

Material	Surface finish	L	Form
Aluminium	Black painted	100	H

Type 321 TA rear mounting flange

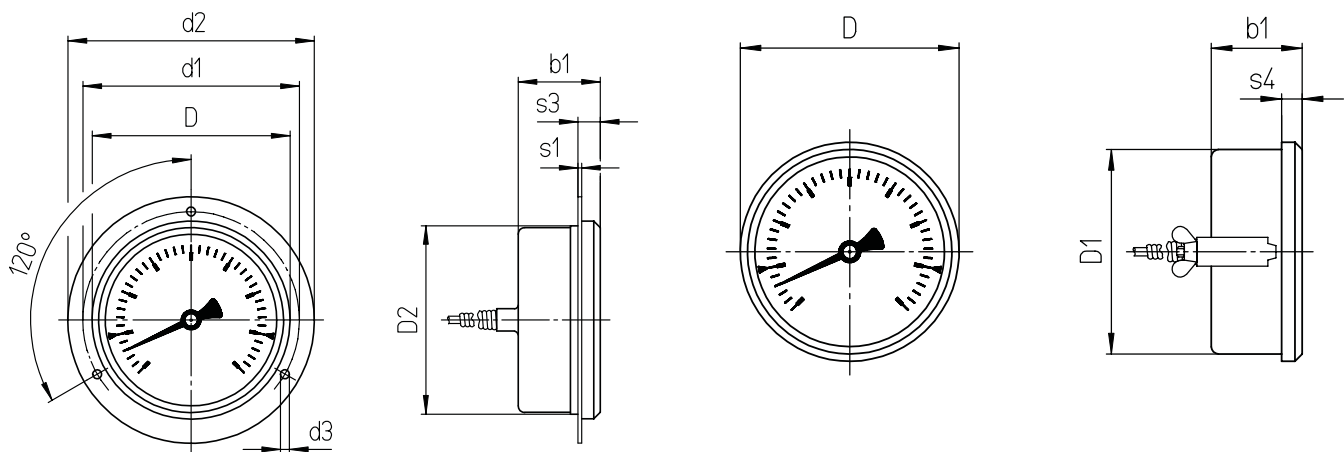


Dimensions [mm]									Weight [kg]
NS	a1	b2	D	d1	d2	d3	s	s4	filled
80	18	45	86	95	110	4.8	5	8	0.60
100	18,5	46.5	106	116	132	4.8	6	10	0.78

This information is provided as an example and relates to the version with connection type A, \varnothing 10 mm, and immersion tube length 200 mm and capillary 1 m.

Type 332 TE front mounting flange

Type 331 KL with U bracket



Dimensions [mm]											Weight [kg]
NS	b1	D	D1	D2	d1	d2	d3	s1	s3	s4	filled
80	42	86	79	81	95	110	4.8	1	9	8	0.60
100	43	106	99	101	116	132	4.8	1	11.5	10	0.78

This information is provided as an example and relates to the version with connection type A, \varnothing 10 mm, and immersion tube length 200 mm and capillary length 1 m.

Material	
Housing	Crimped-on ring, Stainless steel 1.4301, filled with silicone oil
Window	Instrument glass
Pointer movement	German silver / brass
Dial	Aluminium white with black scale markings Aluminium silver with black scale markings (Display range 50...650 °C)
Pointer	Aluminium black
Capillary line	Stainless steel 1.4571
Material in contact with media	
Process connection	Stainless steel 1.4571
Immersion tube	Stainless steel 1.4571

Standard connection types // Immersion tube // for type 311 to 332

Connection type A

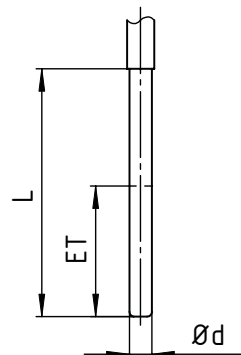
Plain immersion tube, universally usable.

Connection type AK [mm]

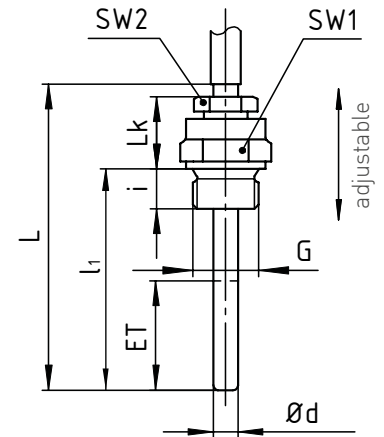
With adjustable compression fitting, for direct installation or use with protection tubes

G	SW1	SW2	i	Lk
G½ B	27	22	14	42
G¾ B	32	22	16	42
½ NPT	27	22	19	42
¾ NPT	27	22	19	42
M20 x 1.5	27	22	14	42

Connection type A



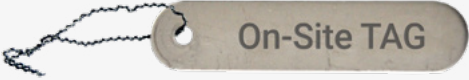
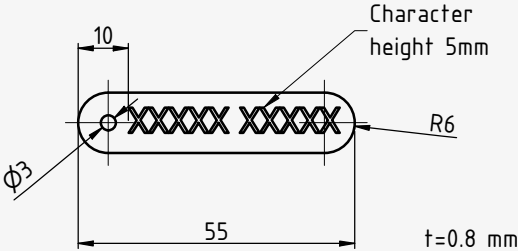
Connection type AK



Connection type	Capillary line length incl. sensor ≤ 5m		Capillary line length incl. sensor > 5m	
	Length ET	Lmin	Length ET	Lmin
A	80	150	120	175
AK	80	150	120	175

The minimum length Lmin / L1min of the immersion tube is the shortest possible immersion tube length for a given active length ET (bulb) and connection type. The active length ET of the immersion tube (bulb) must be fully immersed in the substance to be measured in order to obtain measurements corresponding to the stated accuracy class.

Order code									
Thermometer version									
With wall bracket	Z	311							
With Rear mounting flange	Z	321							
With U bracket	Z	331							
With Front mounting flange	Z	332							
Nominal size									
80 mm			B2						
100 mm			C2						
Display range									
0...100 °C				10					
0...120 °C				12					
0...160 °C				16					
0...250 °C				25					
50...650 °C				56					
Immersion tube length l_1 Nominal length $L = l_1 + 45$ mm									
100 mm		145 mm			100				
135 mm		180 mm			135				
160 mm		205 mm			160				
200 mm		245 mm			200				
250 mm		295 mm			250				
300 mm		345 mm			300				
400 mm		445 mm			400				
Connection type									
Connection type A, Plain immersion tube					1				
Connection type AK, adjustable compression fitting					9				
Process connection									
Without - Plain immersion tube					0				
G $\frac{1}{2}$					2				
G $\frac{3}{4}$					3				
$\frac{1}{2}$ NPT					B				
$\frac{3}{4}$ NPT					C				
M20 x 1.5					7				
Immersion tube diameter									
Ø 12 mm					2				
Capillary line length									
1 m								1	
3 m								3	
5 m								5	
Other length (choose in meters)								-	
Capillary line material and protection									
Stainless steel, stainless steel-spiral protection									C
Example order number									
	Z	311	B2	10	100	1	0	2	1 C

Accessories	Article number
<p>Measuring point designation</p> <p>Laser-inscribed stainless steel plate with fixing wire for easy attachment to measuring points</p> <ul style="list-style-type: none"> → Scope of delivery: Designation plate inscribed according to specification and enclosed fixing wire (sealing wire) → Fastening: Wire (included in delivery), alternatively sealing, cable ties or similar (not included in delivery) → Materials: Plate stainless steel 1.4571, wire stainless steel → Dimensions: Plate 55 x 10 x 0.8 mm, wire length 180 mm → Inscription: one-sided, single-line, max. 11 characters, character height 5 mm, designation width max. 40 mm, letters, numbers, symbols, barcodes, QR codes → Transmission of designations: digital list, file formats Excel, Word or CSV <div style="display: flex; align-items: center; justify-content: space-around; margin-top: 20px;">   </div>	<p>ONSITETAG</p>