

## Calorimetric flow switches VE



VES



VEG

### Your advantages

Series	VE
	<ul style="list-style-type: none"> <li>• No moving parts in the flow</li> <li>• Switching point possible with extremely low flow rate</li> <li>• High compressive strength</li> <li>• Suitable for use in different nominal sizes</li> </ul>

### Technical data

Type	VES (compact version)
<b>Length of measuring probe</b>	
→ VES08	31 mm
→ VES09	48 mm
→ VES12	100 mm
→ VES13	170 mm
<b>Thread length</b>	
→ VES08	15 mm
→ VES09	29 mm
→ VES12	20 mm
→ VES13	20 mm
<b>Temperature gradient</b>	4 °C/s
<b>Detection range</b>	
→ Water	1...150 cm/s
→ Oil	3...300 cm/s
<b>Stand-by time</b>	Approx. 2...15 s
<b>Response time</b>	
→ VES08 / VES09	Approx. 1...13 s
→ VES12 / VES13	Approx. 5...20 s
<b>Max. pressure rating</b>	200 bar
<b>Medium temperature</b>	-20...85 °C
<b>Ambient temperature</b>	-20...60 °C
<b>Process connection</b>	G½ male
<b>Electrical connection</b>	4-pin-plug connector M12 x 1
<b>Degree of protection EN 60529</b>	IP67
<b>Switching transducer</b>	Integrated

Technical data	
Type	VES (compact version)
Display	LEDs: 1 red = alarm, 2 yellow = switching point, 3 - 6 green = flow
Power supply	24 VDC (±10 %)
Current consumption	70 mA
Output signal	PNP, open collector
Max. output current	400 mA (25 °C)

Technical data	
Type	VEG (separate version)
Length of measuring probe → VEG08 → VEG09	31 mm 48 mm
Thread length → VEG08 → VEG09	15 mm 35 mm
Temperature gradient	4 °C/s
Stand-by time	Approx. 2...15 s
Response time	Approx. 1...13 s
Max. pressure rating	200 bar
Medium temperature	-20...85 °C
Ambient temperature	-20...60 °C
Process connection	G½ male
Electrical connection	4-pin-plug connector M12 x 1
Schutzart EN 60529	IP67
Switching transducer	Separate
Display	LEDs: 1 red = alarm, 2 yellow = switching point, 3 - 6 green = flow
Power supply	24 VDC (±20 %) (standard)      230 VAC (+10 % / -20 %) (on request)
Current consumption	80 mA      35 mA
Output signal	Relay, closing contact      Relay, change over contact
Max. switching voltage	230 VAC/250 VDC;      230 VAC/60 VDC;
Max. output current	1 A      4 A
Max. switching capacity	125 VA / 60 W      1000 VA / 60 W

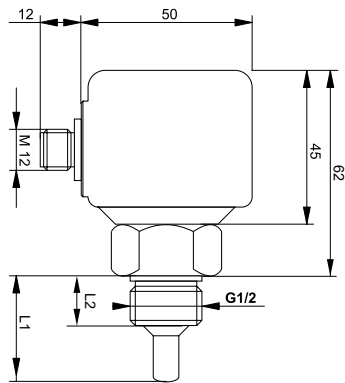
### Working range of sensors

Set point range*										
Pipe size	DN 15	DN 20	DN 25	DN 32	DN 40	DN 50	DN 65	DN 80	DN 100	DN 150
Water [l/min]	0.1...18	0.2...33	0.3...52	0.6...91	0.8...124	1.3...199	2.2...335	3.1...462	5.2...784	11.4...1707
Oil** [l/min]	0.4...36	0.7...66	1...105	2...182	2.5...247	4...397	6.7...670	9.2...920	15.7...1568	34...3414

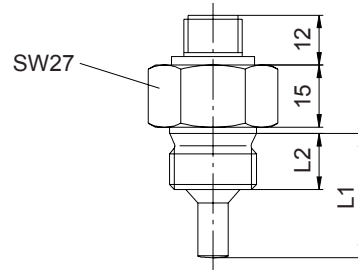
\* Detection range water: 1...150 cm/s; oil: 3...300 cm/s

\*\* Oil medium viscosity (approx. 80 mm<sup>2</sup> / s at 20 °C)

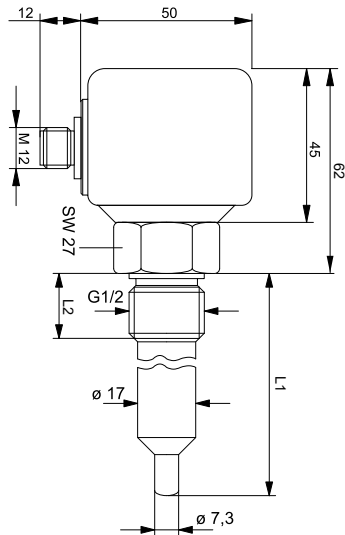
VES08 / VES09 (Compact version)



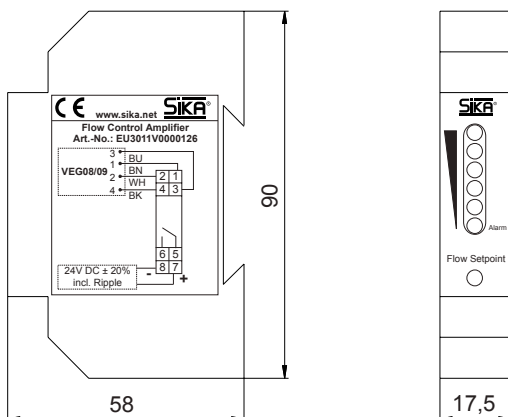
VEG (Separate version)



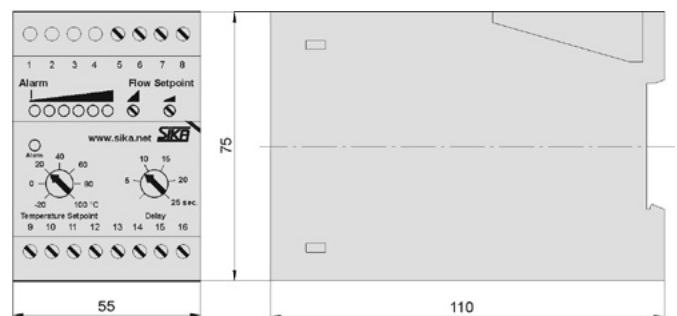
VES12 / VES13 (Compact version)



Switching transducer EU3011V0000126 (24 VDC)



Switching transducer EU3011V0000240 (230 VAC)



Dimensions [mm]		
Type	Length of measuring probe L1	Thread length L2
VES08	31	15
VES09	48	29
VES12	100	20
VES13	170	20
VEG08	31	15
VEG09	48	35

Material	Compact version	Separate version
<b>Not in contact with fluid</b>		
Housing	PBT	PC-GF
<b>In contact with fluid</b>		
Probe	Stainless steel 1.4571	

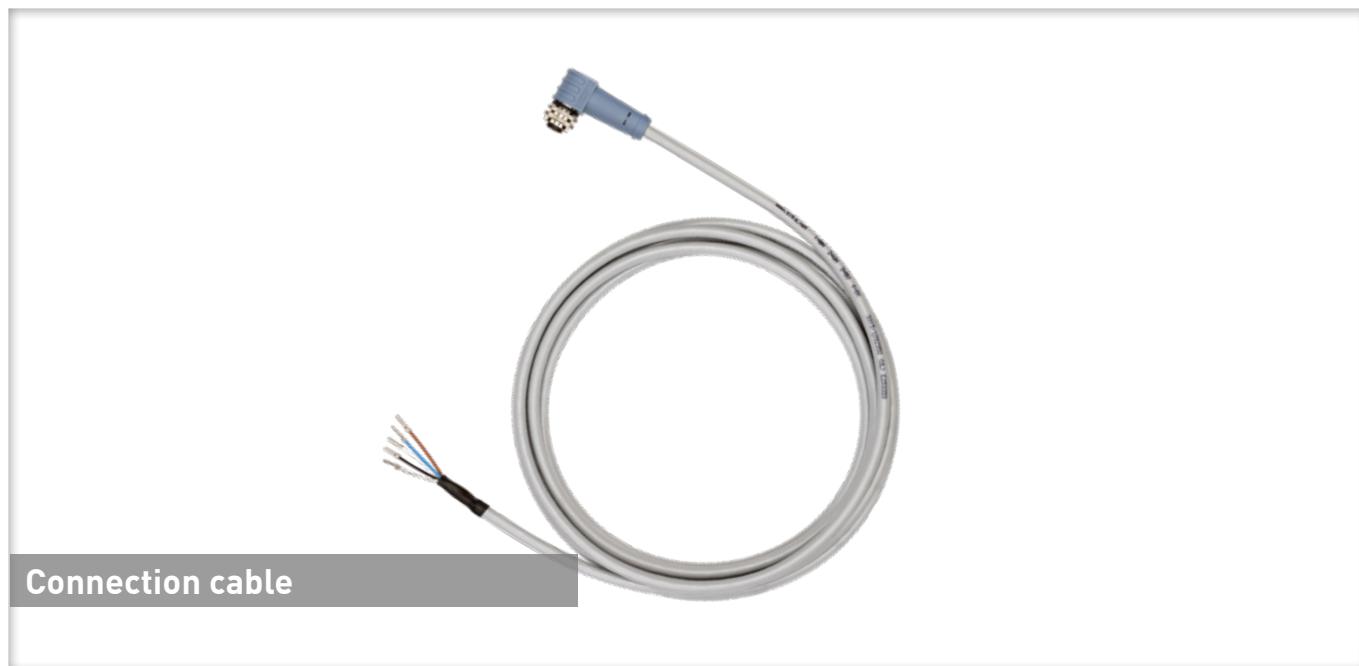
## Article numbers

Order code	
Type	Order number
VES08 (compact version)	VES08
VES09 (compact version)	VES09
VES12 (compact version)	VES12
VES13 (compact version)	VES13
VEG08 (separate version)	VEG08
VEG09 (separate version)	VEG09

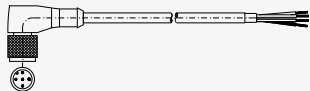
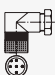
To order a separate version (VEG), 2 order numbers are required.  
The switching transducer has to be selected and ordered separately.

Order code	
Type	Order number
Switching transducer (separate version), 24 VDC, 80 mA, Relay, closing contact	EU3011V0000126
Switching transducer (separate version), 230 VAC, 35 mA, Relay, closing contact	EU3011V0000240

## Accessories



Connection cable

Order code			
Accessories		Length	Order number
	Connection cable with 4-pin cable socket M12 x 1, angle type moulded lead, sheathing material PUR, shielded, (Tmax = 80 °C), UL-approval	3 m	XVT2053
		5 m	XVT2009
		10 m	XVT2070
	4 pin cable socket M12 x 1 angle type, unassembled		VT1331