

Temperature sensor W14

With connection cable // for SolarTemp 850 // 0...600 °C



Highlights

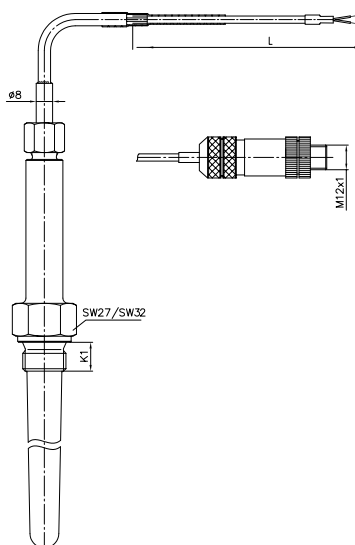
- For exhaust gas temperature measurement in diesel and gas engines → Up to 600 °C media temperature
- Very high vibration resistance → Reliable and long-lasting operation
- Extremely resistant connecting cable → Enables use in harsh environments

Technical data	
Type	Temperature sensor with connection cable for SolarTemp 850
Measuring range	0...600 °C
Measuring medium	Exhaust gases marine diesel engines
Immersion tube length	100...200 mm
Immersion tube diameter	14, 17 or 20 mm conical
Process connection	G½, G¾, or M33 x 2
Nominal pressure	PN 25
Medium temperature	0...600 °C
Ambient temperature	-40...85 °C
Storage temperature	-25...70 °C
Degree of protection according to EN 60529	IP54
Approvals	
DNV	

Electrical data	
Measuring element	1 x Pt1000 / 2-wire / Class B 2 x Pt1000 / 2-wire / Class B
Measuring insert	Interchangeable
Accuracy	Class B / $\pm(0.30 \text{ K} + 0.005 \times \text{T})$
Electrical connection	FEP cable, wire braided

Technical drawing

W14



All dimensions in mm

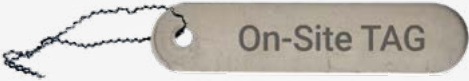
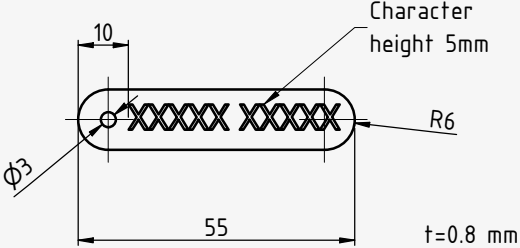
Materials

Materials	
In contact with media	
Process connection	Stainless steel 1.4571 or steel 1.7335
Protection tube	Stainless steel 1.4571 or steel 1.7335

Article numbers

Order code										
Type										
Resistance thermometer	W									
Diameter F1										
14 / 17 mm conical up to 150 mm	14									
17 / 23 mm conical up to 150 mm	17									
20 / 23 mm conical from 150 mm	20									
Material										
Stainless steel 1.4571 (max. 450 °C)	3									
Steel 1.7335, heat resistant (max. 600 °C)	5									
Sensor element										
2 x Pt1000 2-wire / Class B		P53								
1 x Pt1000 2-wire / Class B		P54								
Nominal length L1										
100 mm				100						
150 mm				150						
200 mm				200						
Measuring insert										
Interchangeable						2				
Electrical connection										
M12 x 1, FEP cable							38			
Process connection d1										
G½								2		
G¾								3		
M33 x 2								F		
Cable length LK										
2.0 m									03	
3.0 m									05	
5.0 m									09	
Example order number		W	14	3	P53	100	2	38	2	03

Accessories

Accessories	Order number
<p>Measuring point designation Laser-inscribed stainless steel plate with fixing wire for easy attachment to measuring points</p> <ul style="list-style-type: none">→ Scope of delivery: Designation plate inscribed according to specification and enclosed fixing wire (sealing wire)→ Fastening: Wire (included in delivery), alternatively sealing, cable ties or similar (not included in delivery)→ Materials: Plate stainless steel 1.4571, wire stainless steel→ Dimensions: Plate 55 x 10 x 0.8 mm, wire length 180 mm→ Inscription: one-sided, single-line, max. 11 characters, character height 5 mm, designation width max. 40 mm, letters, numbers, symbols, barcodes, QR codes→ Transmission of designations: digital list, file formats Excel, Word or CSV  	<p>ONSITETAG</p>