

Temperature sensor W25

Head type B with protection tube // for SolarTemp 850 // 0...600 °C



W25

Highlights

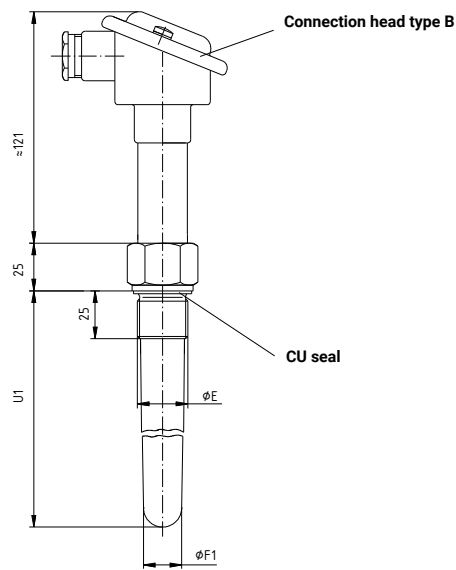
- For exhaust gas temperature measurement in diesel and gas engines → Up to 600 °C Media temperature
- Very high vibration resistance → Reliable and long-lasting operation
- Customer-specific variant possible → Simple integration into plants / systems

Technical data	
Type	Temperature sensor with protection tube type 2 for SolarTemp 850
Measuring range	0...600 °C
Measuring medium	Exhaust gases marine diesel engines
Protection tube length	100...200 mm
Protection tube diameter	14, 17 or 20 mm conical
Process connection	G½, G¾, or M33 x 2
Nominal pressure	PN 25
Medium temperature	0...600 °C
Ambient temperature	-50...85 °C
Storage temperature	-25...70 °C
Degree of protection according to EN 60529	IP54

Electrical data	
Measuring element	1 x Pt1000 / 2-wire / Class B 2 x Pt1000 / 2-wire / Class B
Measuring insert	Interchangeable
Accuracy	Class B / $\pm(0.30 K + 0.005 \times T)$
Electrical connection	Head type B with ceramic socket

Technical drawing

W25



All dimensions in mm

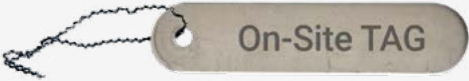
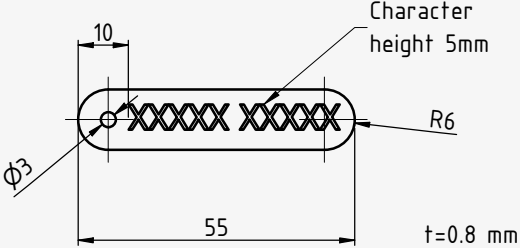
Materials

Materials	
Not in contact with media	
Connection head	Die-cast aluminium, silver painted
In contact with media	
Process connection	Stainless steel 1.4571 or steel 1.7335
Protection tube	Stainless steel 1.4571 or steel 1.7335

Article numbers

Order code								
Type								
Resistance thermometer	W							
Diameter F1								
14 / 17 mm (up to nominal length U1: 150 mm)	14							
17 / 23 mm (up to nominal length U1: 150 mm)	17							
20 / 23 mm (from nominal length U1: 200 mm)	20							
Material								
Stainless steel 1.4571 (max. 450 °C)	3							
Steel 1.7335, heat resistant (max. 600 °C)	5							
Sensor element								
2 x Pt1000 2-wire / Class B				P53				
1 x Pt1000 2-wire / Class B				P54				
Nominal length U1								
100 mm					100			
150 mm					150			
200 mm					200			
Measuring insert								
Interchangeable						2		
Electrical connection								
Head type B with ceramic socket							B0	
Process connection E								
G½								2T6
G¾								3T6
M33 x 2								FT6
Example order number	W	14	3	P53	100	2	3	2T6

Accessories

Accessories	Order number
<p>Measuring point designation Laser-inscribed stainless steel plate with fixing wire for easy attachment to measuring points</p> <ul style="list-style-type: none">→ Scope of delivery: Designation plate inscribed according to specification and enclosed fixing wire (sealing wire)→ Fastening: Wire (included in delivery), alternatively sealing, cable ties or similar (not included in delivery)→ Materials: Plate stainless steel 1.4571, wire stainless steel→ Dimensions: Plate 55 x 10 x 0.8 mm, wire length 180 mm→ Inscription: one-sided, single-line, max. 11 characters, character height 5 mm, designation width max. 40 mm, letters, numbers, symbols, barcodes, QR codes→ Transmission of designations: digital list, file formats Excel, Word or CSV  	ONSITETAG