

Level switches // VKS // VK6



Highlights

- Lateral installation by male thread G $\frac{3}{4}$ or G $\frac{1}{2}$
- Easy alignment due to union nut
- Level switch made of glass-fibre reinforced plastic, screw-in spigot made of stainless steel
- Various connector plugs or 1.5 m (59.055") sheathed cable

Technical data

Switching function	Contact → opens with falling level → closes with rising level reversing possible	
Activation point, related to middle axis (water, 20 °C)	-4...0 mm	
Activation point, related to middle axis (water, 68 °F)	-0,157"...0"	
Hysteresis	Approx. 1...4 mm	
Hysteresis	Approx. 0.039"...0.157"	
Pressure rating	PN 10	
Minimum medium density	0.78 kg / dm ³	0.028 lb / in ³
Temperature ranges		
Medium	-10...100 °C	14...212 °F
Ambient		
→ VKS	-25...80 °C	-13...176 °F
→ VK6	-25...70 °C	-13...158 °F

Approvals



Electrical data

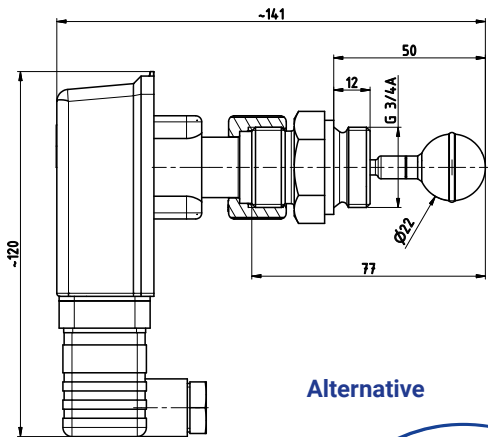
Electrical connection	
→ VKS	Plug connector DIN EN 175301-803-A incl. cable socket
→ VK6	1.5 m PVC jacket cable 59.055" PVC jacket cable
Max. switching current	1 A
Max. switching voltage	230 VAC, 48 VDC
Max. rating	26 VA, 20 W
Degree of protection EN 60529	IP65
Protection class EN 60730-1	Class II

Options

Options	
For type	See order code
VKS	→ Plug connector DIN EN 175301-803-A incl. cable socket with 2 LEDs for switching voltages 24 V...230 V AC / DC ±20 %, ambient temperature -20...70 °C (-4...158 °F) → or 4-pin sensor plug M12 x 1

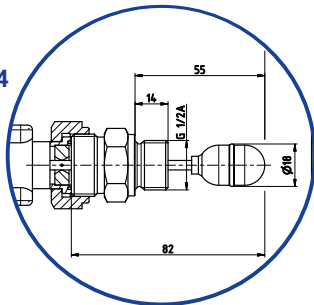
Technical drawings

VKS00

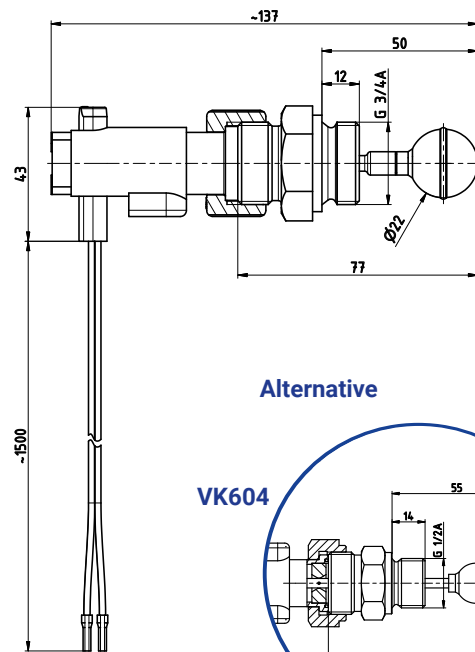


Alternative

VKS04

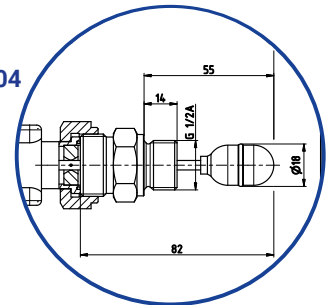


VK600



Alternative

VK604



Materials

Materials in contact with fluid	
Body, Paddle	PPE+PS Noryl™ 30 % glass fibre reinforced / EPDM
Process connection	Stainless steel 1.4571
Bushings	PPE+PS Noryl™ 30 % glass fibre reinforced
Axis	Stainless steel 1.4571
Magnet	Hard ferrite
Float	PVDF, Stainless steel A4
Sealing	NBR

Article numbers

Order code				
Type				
VKS				
Plug connector incl. cable socket (standard)	VKS0		7	
Plug connector incl. cable socket with LED (option)	VKS0		9	
4-pin plug connector M12 x 1 (option)	VKS0		8	
VK6				
Connection cable (standard)	VK60		1	
Float, process connection				
Ball float PVDF, G $\frac{3}{4}$		0M0P1		PR33
Cylinder float PVDF, G $\frac{1}{2}$		4M0P1		PR23
Example order number	VKS0	0M0P1	7	PR33