

KombiTemp® // Head type B

-60...200 °C



K 410



K 620



Highlights

- High measurement reliability due to two independent measuring points
- Fast detection of malfunctioning probes or dial thermometers in the system to be checked
- Low installation costs, advantages of the industrial thermometer

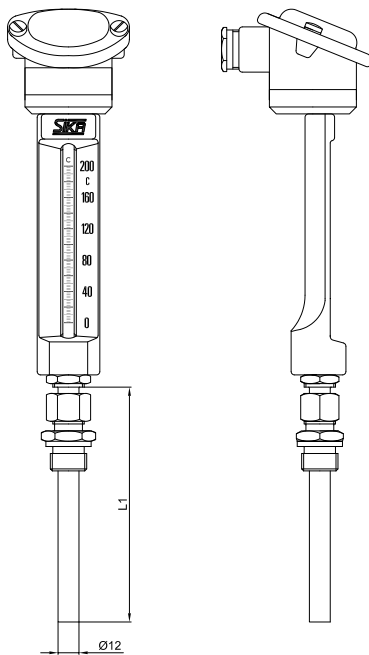
Technical data	
Version	Straight 90° angle
Dimensions housing	150 x 36 mm
Measuring range	-60...200 °C
Medium / Application	Liquid and gaseous media
Immersion tube length	
→ Clamp connection	135 mm or 160 mm
→ Fixed thread connection	63 mm, 100 mm or 160 mm
Immersion tube diameter	12 mm
Process connection	
→ Clamp connection	G½
→ Fixed thread connection	G½, G¾ or M20 x 1.5
Nominal pressure	
→ Immersion tube brass	PN 16
→ Immersion tube stainless steel	PN 40
Thermometer capillary	Prismatic, Ø approx. 6 mm
Thermometer filling	
→ Red	-60...40 °C
→ Blue	-30...200 °C
Medium temperature	Depending on measuring range
Ambient temperature	-20...60 °C (only for indoor use)
Storage temperature	-25...60 °C
Degree of protection EN 60529	IP65

Electrical data	
Measuring element	1 x Pt100 / 3-wire 2 x Pt100 / 3-wire 1 x Pt1000 / 2-wire 1 x NiCr-Ni (type K) 2 x NiCr-Ni (type K)
Accuracy	Class B Class 1
Electrical connection	Head type B (DIN 43729)

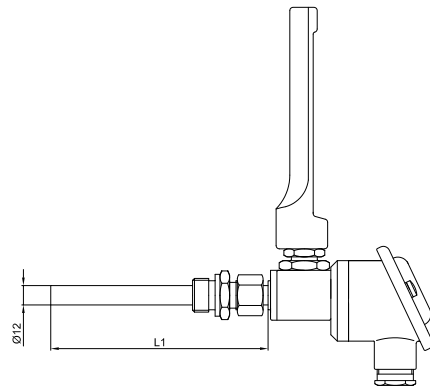
Options	
For type	See order code
K 410 / K 420 / K 610 / K 620	Analogue output 4...20 mA for 1 x Pt100

Technical drawings

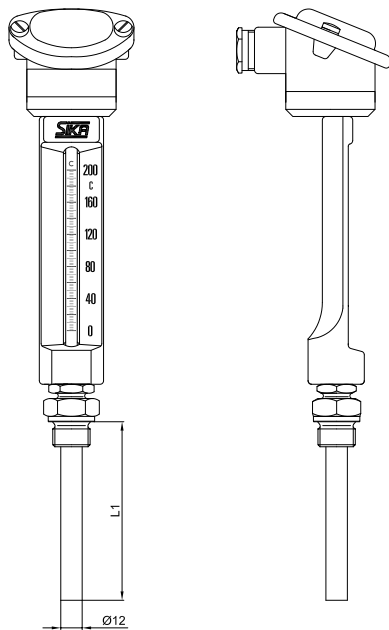
K 410



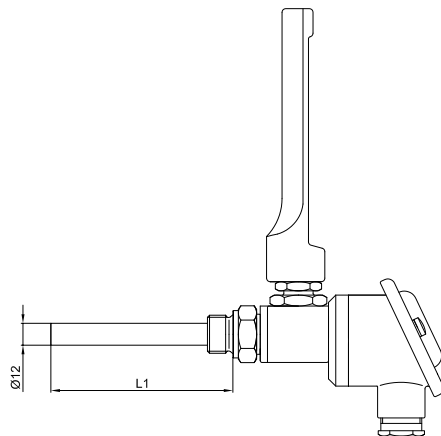
K 610



K 420



K 620



Materials

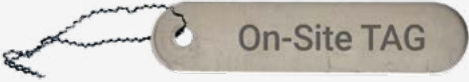
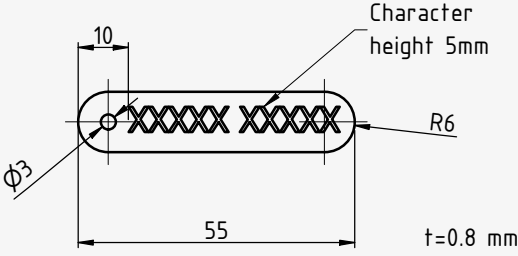
Material	
Not in contact with medium	
Housing	Warm pressed aluminium part, silver anodized
In contact with medium	
Process connection	Brass or stainless steel 1.4571
Immersion tube	Brass or stainless steel 1.4571

Article numbers

Order code									
Type									
K 410	Straight, clamp connection	K410							
K 420	Straight, fixed thread connection	K420							
K 610	Angle 90 °, clamp connection	K610							
K 620	Angle 90 °, fixed thread connection	K620							
Display ranges									
	-60...40 °C	64							
	-30...50 °C	35							
	0...60 °C	06							
	0...100 °C	10							
	0...120 °C	12							
	0...160 °C	16							
	0...200 °C	20							
Immersion tube length L ₁		adjusted immersion depth							
Clamp connection (K 410 / K 610)									
	135 mm	50 mm	135						
	160 mm	73 mm	160						
Fixed thread connection (K 420 / K 620)									
	63 mm		063						
	100 mm		100						
	160 mm		160						
Process connection									
Clamp connection (K 410 / K 610)									
	G½		2						
Fixed thread connection (K 420 / K 620)									
	G½		2						
	G¾		3						
	M20 x 1.5		7						
Immersion tube material									
	Brass		1						
	Stainless steel		3						
Electrical temperature sensor									
	1x Pt100 / 3-wire / class B						1		
	2x Pt100 / 3-wire / class B						4		
	1x Pt1000 / 2-wire / class B						7		
	1x NiCr-Ni (type K)						2		
	2x NiCr-Ni (type K)						5		
Head transmitter									
	Without							0	
	4...20 mA*							1	
Scale									
	°C							0	
Example order number		K410	64	135	2	1	1	0	0

* Only for 1 x Pt100 / 3-wire / class B

Accessories

Accessories	Article number
<p>Measuring point designation Laser-inscribed stainless steel plate with fixing wire for easy attachment to measuring points</p> <ul style="list-style-type: none">→ Scope of delivery: Designation plate inscribed according to specification and enclosed fixing wire (sealing wire)→ Fastening: Wire (included in delivery), alternatively sealing, cable ties or similar (not included in delivery)→ Materials: Plate stainless steel 1.4571, wire stainless steel→ Dimensions: Plate 55 x 10 x 0.8 mm, wire length 180 mm→ Inscription: one-sided, single-line, max. 11 characters, character height 5 mm, designation width max. 40 mm, letters, numbers, symbols, barcodes, QR codes→ Transmission of designations: digital list, file formats Excel, Word or CSV  	<p>ONSITETAG</p>