

# KombiTemp® // Bayonet plug or cable

50...650 °C



## Highlights

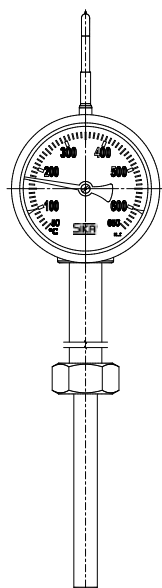
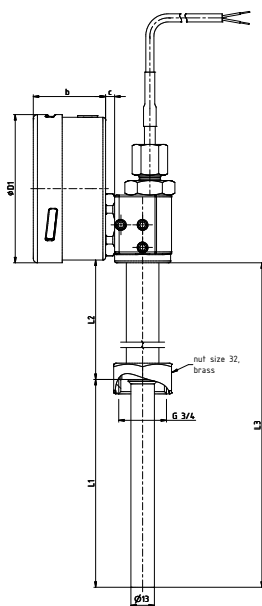
- High measurement reliability due to two independent measuring points
- Fast detection of malfunctioning probes or dial thermometers in the system to be checked
- Low installation costs, advantages of the dial thermometer

Technical data		
<b>Version</b>	Straight	Angle 90°
<b>Dimensions housing</b>	80 mm	
<b>Measuring range</b>	50...650 °C	
<b>Medium / Application</b>	Liquid and gaseous media	
<b>Immersion tube length</b>	115 mm, 215 mm or 220 mm	
<b>Immersion tube diameter</b>	13 mm	
<b>Process connection</b>	G $\frac{3}{4}$	
<b>Nominal pressure</b>	PN 40	
<b>Thermometer filling</b>	Silicone oil	
<b>Medium temperature</b>	50...650 °C	
<b>Ambient temperature</b>	-20...60 °C	
<b>Storage temperature</b>	-20...60 °C	
<b>Degree of protection EN 60529</b>	Dial thermometer IP65 Electrical sensor IP56	
<b>Approvals</b>	DNV	

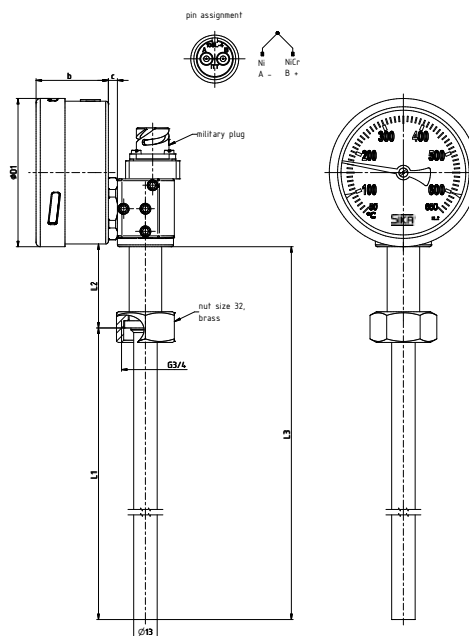
Electrical data	
<b>Measuring element</b>	1 x NiCr-Ni (type K)
<b>Accuracy</b>	Class 1
<b>Electrical connection</b>	Connecting cable FEP, shielded or bayonet connector

# Technical drawings

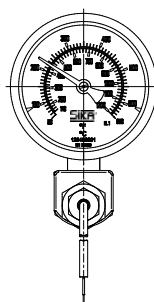
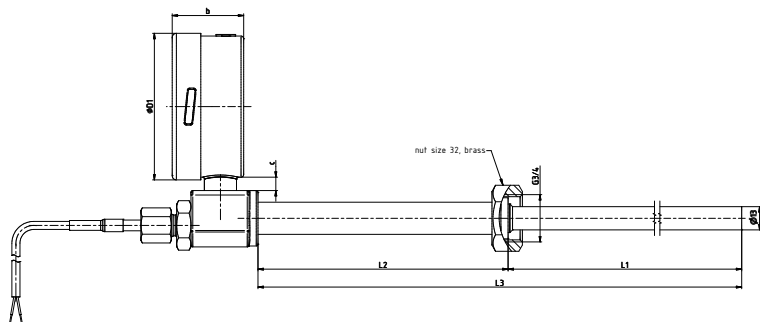
Type K 8312 - Version 1



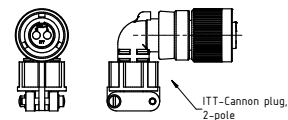
Type K 8312 - Version 2



Type K 8372 - Version 3



90° Military - angle plug connector\*



\* only for version 2

Dimensions [mm]	b	c	ØD1	L1	L2	L3
Version 1	40	5	82	115	165	274
Version 2	40	5	82	220	51.5	265
Version 3	40	7.5	82	215	140	355

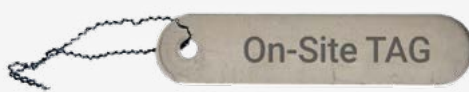
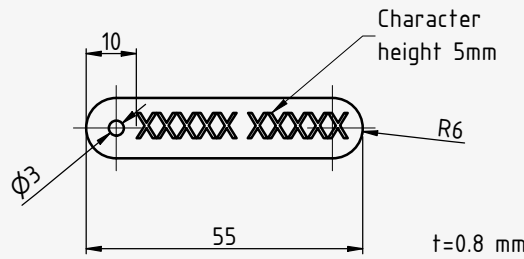
## Materials

Materials	
<b>Not in contact with medium</b>	
<b>Housing</b>	Hot pressed aluminium part, silver anodized and stainless steel 1.4571
<b>In contact with medium</b>	
<b>Process connection</b>	Brass
<b>Immersion tube</b>	Stainless steel 1.4571

# Article numbers

Order code	
KombiTemp® K8312 – Version 1	K8312V561000001
KombiTemp® K8312 – Version 2	K8312V561000002
KombiTemp® K8372 – Version 3	K8372V5622150001
90° Military - angle plug connector	XMT0004

# Accessories

Accessories	Article number
<p><b>Measuring point designation</b>                      Laser-inscribed stainless steel plate with fixing wire for easy attachment to measuring points                      → <b>Scope of delivery:</b> Designation plate inscribed according to specification and enclosed fixing wire (sealing wire)                      → <b>Fastening:</b> Wire (included in delivery), alternatively sealing, cable ties or similar (not included in delivery)                      → <b>Materials:</b> Plate stainless steel 1.4571, wire stainless steel                      → <b>Dimensions:</b> Plate 55 x 10 x 0.8 mm, wire length 180 mm                      → <b>Inscription:</b> one-sided, single-line, max. 11 characters, character height 5 mm, designation width max. 40 mm, letters, numbers, symbols, barcodes, QR codes                      → <b>Transmission of designations:</b> digital list, file formats Excel, Word or CSV</p>  	<p><b>ONSITETAG</b></p>