

## Push-in flow sensors // VTH25



VTH25

### Your advantages

**Series** VTH25

- Low deviation in mass production, fixed pulse rate, low start-up
- High measuring accuracy, compact dimensions
- Proven in numerous mass production applications

#### ① Push in turbine

<b>Flow range</b>	4...160 l/min*
<b>Accuracy</b>	±5 % of range (up to 5 l/min ±7 % of reading)
<b>Repeatability</b>	±0.5 %
<b>Signal output</b>	From 1 l/min
<b>Medium temperature</b>	Max. 85 °C
<b>Nominal diameter</b>	DN 25

#### Approvals

Plastic parts and O-Ring comply with KTW-guidance or the Elastomer Guideline of the German Federal Environmental Agency

#### ② Hall effect sensor\*\*

<b>Nominal pulse rate</b>	65 Pulse/l
<b>Frequency output</b>	NPN open collector
<b>Power supply</b>	4.5...24 VDC
<b>Electrical connection</b>	0.5 m PVC-cable

#### ③ Adapter sleeve for hall effect sensor\*\*\*

<b>Pressure rating</b>	PN 10
<b>Process connection</b>	G $\frac{1}{2}$ A

#### Approvals

Plastic parts and O-Ring comply with KTW-guidance or the Elastomer Guideline of the German Federal Environmental Agency

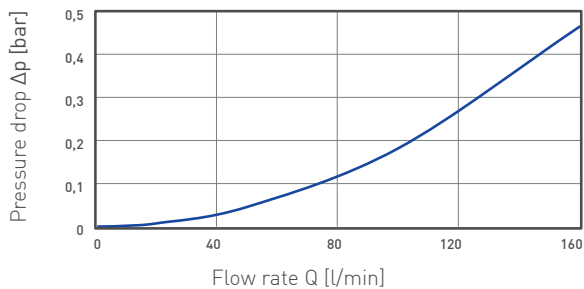
Stated values may vary depending on geometry of fittings.

\* not suitable for continuous operation

\*\* Union nut included

\*\*\* O-ring included

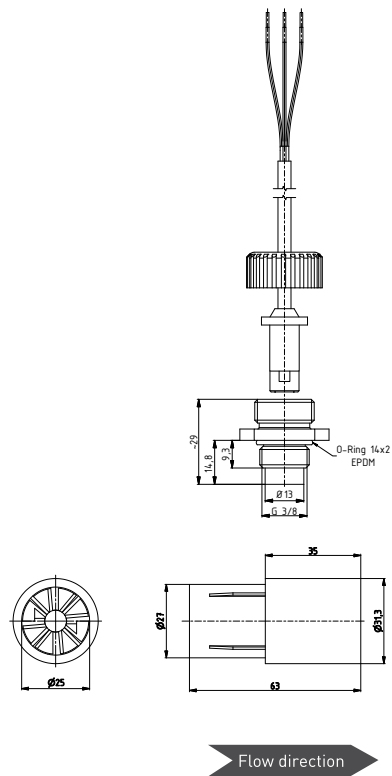
**Typical pressure drop**



\* determined in SIKA pipe tee

**VTH25**

Materials in contact with fluid	
<b>Push in turbine</b>	
<b>Turbine body</b>	PS-ST Xarec® 20 % glass fibre reinforced
<b>Rotor</b>	PS-ST Xarec® 20 % glass fibre reinforced
<b>Shaft</b>	Stainless steel 1.4539
<b>Axial bearing</b>	Sapphire
<b>Radial bearing</b>	PA
<b>Adapter sleeve for Hall effect sensor</b>	
<b>Adapter sleeve</b>	PS-ST Xarec® 20 % glass fibre reinforced
<b>O-ring</b>	EPDM



Order code	
Component	Order number
Push in turbine	VT2511020000YY
Hall effect sensor	VT2307
Adapter sleeve for Hall effect sensor	XVT1205